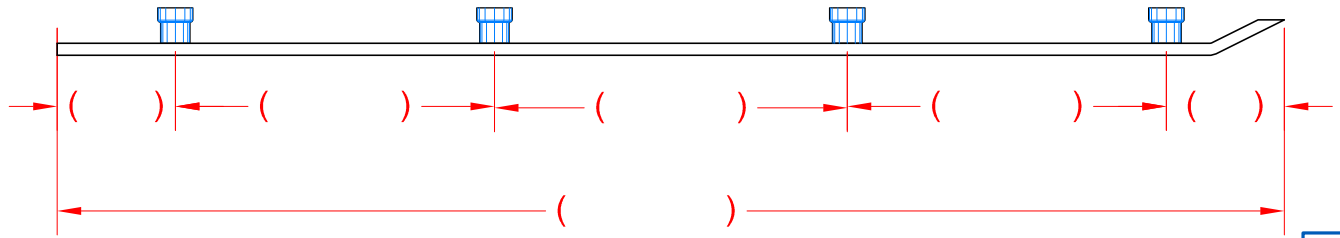
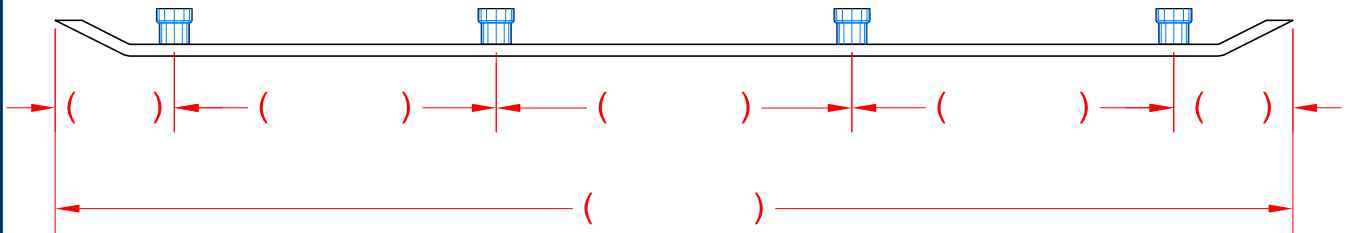


QTTY:

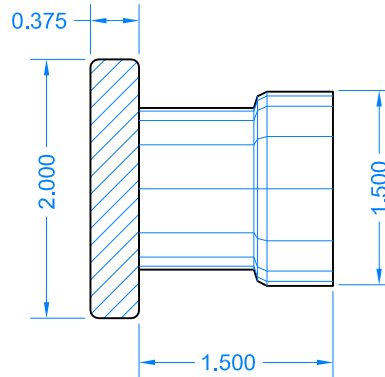


QTTY:



QTTY:

TYPE: 2" X 3/8" S/ST# 4 BAR



COMPANY NAME

\_\_\_\_\_

JOB NAME:

\_\_\_\_\_

TITLE: FLAT HANDRAIL

JOB #:

DATE:

FILE NO:

DRAWN BY: KC

CLIENT #:



# Flat Handrail Survey